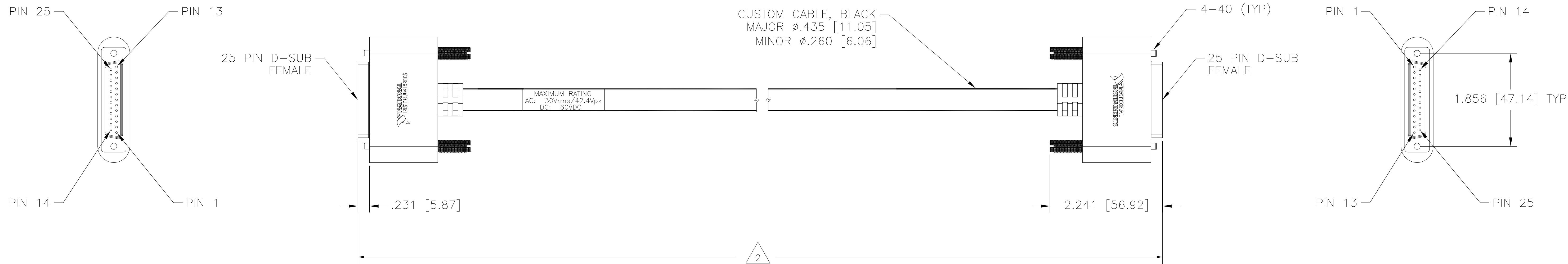
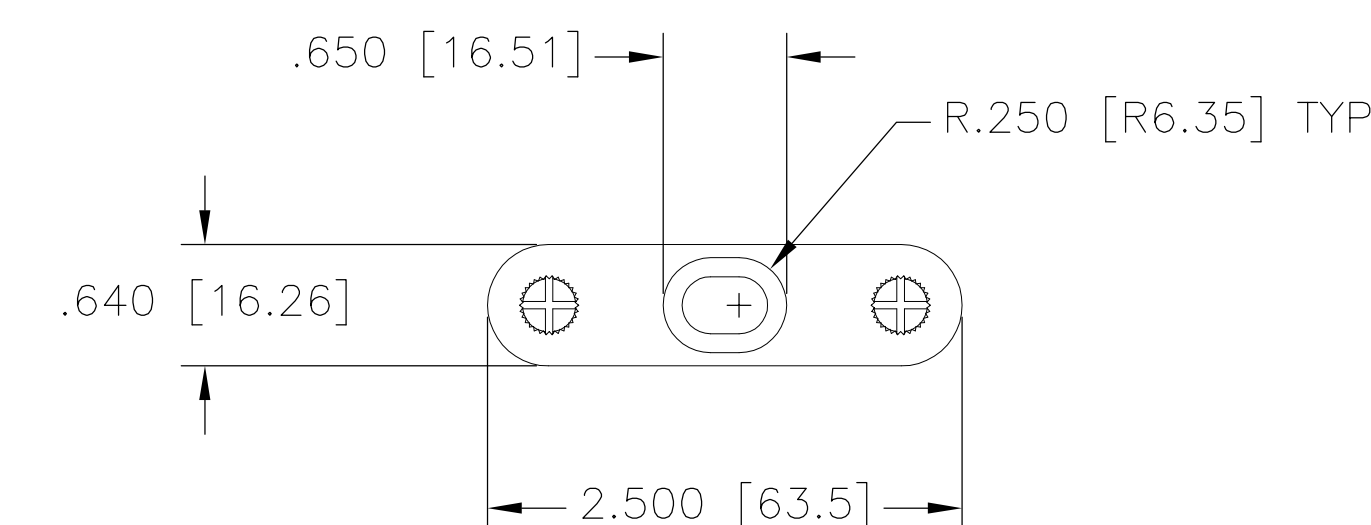


CUSTOMER DRAWING COMPATIBILITY			
REV	DESCRIPTION	DATE	APPROVED
A		-	-
B		-	-
C		-	-



WIRE LIST						
ANALOG BUNDLE - 8 SHIELDED PAIRS, OUTER SHIELD				P1 DSUB	P2 DSUB	SIGNAL NAME
BUNDLE	PAIR NO	SINGLE NO	COLOR CODE	PIN NO	PIN NO	
A	1		WHITE/BLACK	2	2	CH 0 HI S
			BLACK/WHITE	14	14	CH 0 HI
		SHIELD 1		1	1	CH 0 GUARD
	2		WHITE/BROWN	3	3	CH 0 LO S
			BROWN/WHITE	-	-	NO CONNECT
		SHIELD 2		16	16	CH 0 LO
	3		WHITE/RED	5	5	CH 1 HI S
			RED/WHITE	17	17	CH 1 HI
		SHIELD 3		4	4	CH 1 GUARD
	4		WHITE/ORANGE	6	6	CH 1 LO S
			ORANGE/WHITE	-	-	NO CONNECT
		SHIELD 4		19	19	CH 1 LO
	5		WHITE/GREEN	8	8	CH 2 HI S
			GREEN/WHITE	20	20	CH 2 HI
		SHIELD 5		7	7	CH 2 GUARD
	6		WHITE/BLUE	9	9	CH 2 LO S
		BLUE/WHITE	-	-	NO CONNECT	
	SHIELD 6		22	22	CH 2 LO	
7		WHITE/VIOLET	11	11	CH 3 HI S	
		VIOLET/WHITE	23	23	CH 3 HI	
	SHIELD 7		10	10	CH 3 GUARD	
8		WHITE/GRAY	12	12	CH 3 LO S	
		GRAY/WHITE	-	-	NO CONNECT	
	SHIELD 8		25	25	CH 3 LO	
	CORE SHIELD		16	16	CH 0 LO	
	OUTER SHIELD		SHELL	SHELL	CHASSIS GND	

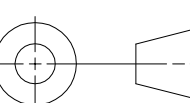
WIRE LIST (CONT.)						
DIGITAL BUNDLE - 10 TWISTED PAIRS, OUTER SHIELD				P1 DSUB	P2 DSUB	SIGNAL NAME
BUNDLE	PAIR NO	COLOR CODE	PIN NO	PIN NO		
B	1	BROWN/BLACK	-	-	NO CONNECT	
		BLACK/BROWN	-	-	NO CONNECT	
	2	RED/BLACK	-	-	NO CONNECT	
		BLACK/RED	-	-	NO CONNECT	
	3	BLACK/VIOLET	-	-	NO CONNECT	
		VIOLET/BLACK	-	-	NO CONNECT	
	4	BLACK/BLUE	-	-	NO CONNECT	
		BLUE/BLACK	-	-	NO CONNECT	
	5	BLUE/GREEN	-	-	NO CONNECT	
		GREEN/BLUE	-	-	NO CONNECT	
	6	BLACK/GREEN	-	-	NO CONNECT	
		GREEN/BLACK	-	-	NO CONNECT	
	7	VIOLET/ORANGE	-	-	NO CONNECT	
		ORANGE/VIOLET	-	-	NO CONNECT	
	8	BLACK/YELLOW	-	-	NO CONNECT	
		YELLOW/BLACK	-	-	NO CONNECT	
	9	GRAY/RED	-	-	NO CONNECT	
		RED/GRAY	-	-	NO CONNECT	
	10	YELLOW/ORANGE	-	-	NO CONNECT	
		ORANGE/YELLOW	-	-	NO CONNECT	
	CORE SHIELD		SHELL	SHELL	CHASSIS GND	



LENGTH	TOLERANCE
<2M	+5 CM/-0 CM
2 TO 5M	+10 CM/-0 CM
>5M	+15 CM/-0 CM

1. REFER TO PRODUCT MANUAL ON NI.COM FOR MORE DETAILS.

NOTES: UNLESS OTHERWISE SPECIFIED.



CUSTOMER DRAWING

UNLESS OTHERWISE SPECIFIED DIMENSIONS ARE IN INCHES AND [MILLIMETERS]	 AUSTIN, TEXAS
DO NOT SCALE DRAWING THIRD ANGLE PROJECTION	DB25F-DB25F
SIZE	CODE IDENT NO. DRAWING NO.
D 7U296	9/30/19
SCALE: NTS	SHEET 1 OF 1